

SP STALLS

TOILET PARTITIONS | LOCKERS | ACCESSORIES



8046 Inadale Drive
 Mount Brydges, On N0L1W0
 (p) 888-856-9795 (f) 888-856-9765
 Email: ryan@spstalls.com
 www.spstalls.com

Company Name _____

Contact Name _____

Job Location _____

Phone Number _____

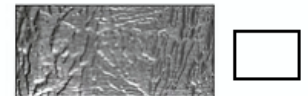
Email _____




Fax _____

Prefer method of sent quote: **FAX / EMAIL**

- Dur-a-tex
- Metal
- Phenolic
- Plastic Laminate
- Polymer (HDPE)

Stainless Steel



| Wall Hung | QTY | Floor Mount | QTY | T-Screen | QTY |
|--|-------|---|-------|---|-------|
|  12"w x 42"h | _____ |  24"w x 58"h | _____ |  12"w x 42"h | _____ |
| 18"w x 42"h | _____ | 36"w x 58"h | _____ | 18"w x 42"h | _____ |
| 18"w x 48"h | _____ | | | 18"w x 48"h | _____ |
| | | | | 24"w x 42"h | _____ |
| | | | | 24"w x 48"h | _____ |

Free Standing



Room: _____