

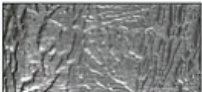


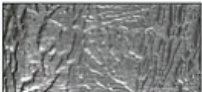


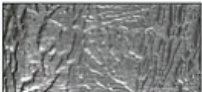



SP STALLS




TOILET PARTITIONS | LOCKERS | ACCESSORIES



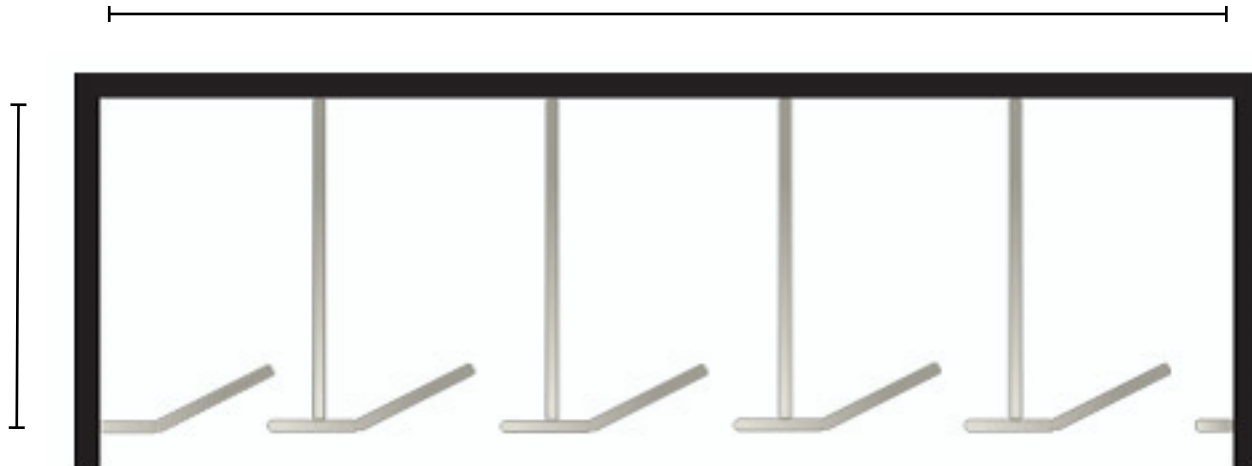
8046 Inadale Drive
 Mount Brydges, On N0L1W0
 (p) 888-856-9795 (f) 888-856-9765
 Email: ryan@spstalls.com
 www.spstalls.com

<p>Company Name _____</p> <p>Contact Name _____</p> <p>Job Location _____</p> <p>Phone Number _____</p> <p>Email _____</p> <p>Fax _____</p> <p>Prefer method of sent quote: FAX / EMAIL</p>	<table style="width: 100%;"> <tr> <td style="width: 33%;"><input type="checkbox"/> Dur-a-tex</td> <td style="width: 33%;"><input type="checkbox"/> Metal</td> <td style="width: 33%;">Stainless Steel</td> </tr> <tr> <td><input type="checkbox"/> Phenolic</td> <td><input type="checkbox"/> Plastic Laminate</td> <td> <input type="checkbox"/></td> </tr> <tr> <td><input type="checkbox"/> Polymer (HDPE)</td> <td></td> <td> <input type="checkbox"/></td> </tr> <tr> <td></td> <td></td> <td> <input type="checkbox"/></td> </tr> </table>	<input type="checkbox"/> Dur-a-tex	<input type="checkbox"/> Metal	Stainless Steel	<input type="checkbox"/> Phenolic	<input type="checkbox"/> Plastic Laminate	 <input type="checkbox"/>	<input type="checkbox"/> Polymer (HDPE)		 <input type="checkbox"/>			 <input type="checkbox"/>
<input type="checkbox"/> Dur-a-tex	<input type="checkbox"/> Metal	Stainless Steel											
<input type="checkbox"/> Phenolic	<input type="checkbox"/> Plastic Laminate	 <input type="checkbox"/>											
<input type="checkbox"/> Polymer (HDPE)		 <input type="checkbox"/>											
		 <input type="checkbox"/>											

			
<input type="checkbox"/> Overhead Braced	<input type="checkbox"/> Floor Mounted	<input type="checkbox"/> Floor to Ceiling	<input type="checkbox"/> Ceiling Hung

Wall Hung	QTY	Floor Mount	QTY	T-Screen	QTY
	12"w x 42"h _____		24"w x 58"h _____		12"w x 42"h _____
	18"w x 42"h _____		36"w x 58"h _____		18"w x 42"h _____
	18"w x 48"h _____				18"w x 48"h _____
					24"w x 42"h _____
					24"w x 48"h _____

Between Walls _____



Room: _____