

# SP STALLS

TOILET PARTITIONS | LOCKERS | ACCESSORIES



8046 Inadale Drive  
 Mount Brydges, On N0L1W0  
 (p) 888-856-9795 (f) 888-856-9765  
 Email: ryan@spstalls.com  
 www.spstalls.com

Company Name \_\_\_\_\_

Contact Name \_\_\_\_\_

Job Location \_\_\_\_\_

Phone Number \_\_\_\_\_

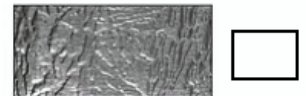
Email \_\_\_\_\_




Fax \_\_\_\_\_

Prefer method of sent quote: **FAX / EMAIL**

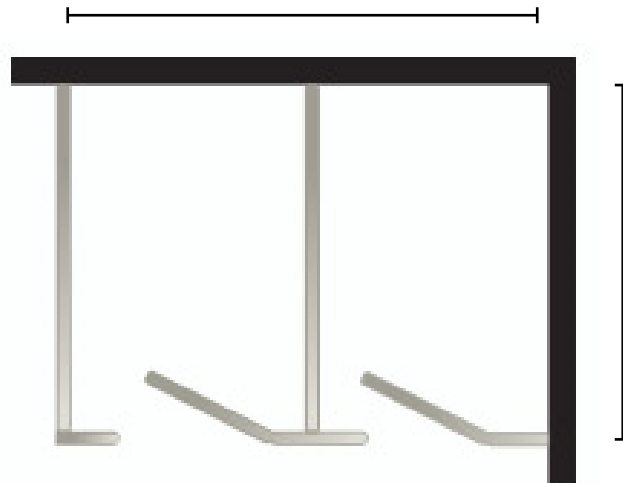
- Dur-a-tex
- Metal
- Phenolic
- Plastic Laminate
- Polymer (HDPE)

### Stainless Steel



Wall Hung	QTY	Floor Mount	QTY	T-Screen	QTY
	12"w x 42"h _____		24"w x 58"h _____		12"w x 42"h _____
	18"w x 42"h _____		36"w x 58"h _____		18"w x 42"h _____
	18"w x 48"h _____				18"w x 48"h _____
					24"w x 42"h _____
					24"w x 48"h _____

Open End - Right



Room: \_\_\_\_\_