

SP STALLS

TOILET PARTITIONS | LOCKERS | ACCESSORIES



8046 Inadale Drive
 Mount Brydges, On N0L1W0
 (p) 888-856-9795 (f) 888-856-9765
 Email: ryan@spstalls.com
 www.spstalls.com

Company Name _____

Contact Name _____

Job Location _____

Phone Number _____

Email _____

Fax _____

Prefer method of sent quote: **FAX / EMAIL**

Dur-a-tex


Metal


Phenolic

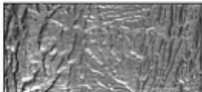
Plastic Laminate


Polymer (HDPE)

Stainless Steel










 Overhead Braced

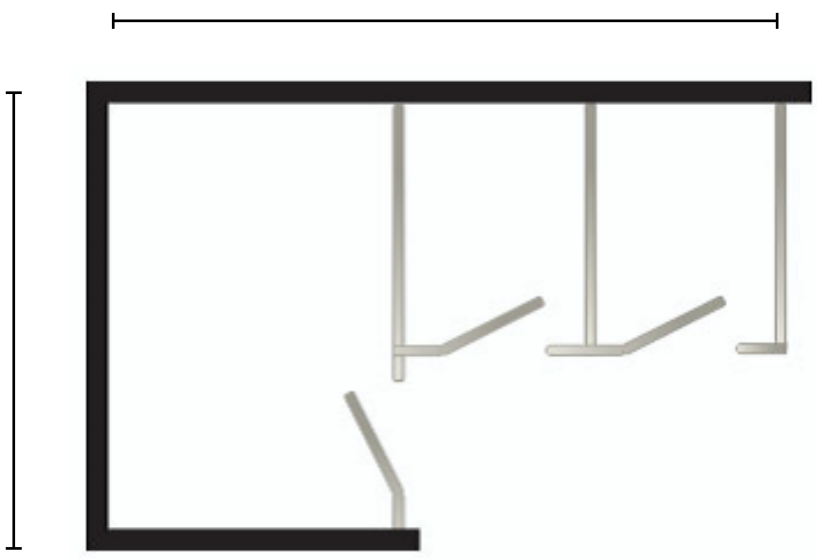
 Floor Mounted

 Floor to Ceiling

 Ceiling Hung

Wall Hung	QTY	Floor Mount	QTY	T-Screen	QTY
	12"w x 42"h _____		24"w x 58"h _____		12"w x 42"h _____
	18"w x 42"h _____		36"w x 58"h _____		18"w x 42"h _____
	18"w x 48"h _____				18"w x 48"h _____
					24"w x 42"h _____
					24"w x 48"h _____

Alcove Unit - Left



Room: _____