

# SP STALLS

TOILET PARTITIONS | LOCKERS | ACCESSORIES



8046 Inadale Drive  
 Mount Brydges, On N0L1W0  
 (p) 888-856-9795 (f) 888-856-9765  
 Email: ryan@spstalls.com  
 www.spstalls.com

Company Name \_\_\_\_\_

Contact Name \_\_\_\_\_



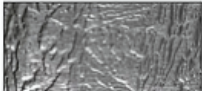
Job Location \_\_\_\_\_

Phone Number \_\_\_\_\_




Email \_\_\_\_\_

Fax \_\_\_\_\_

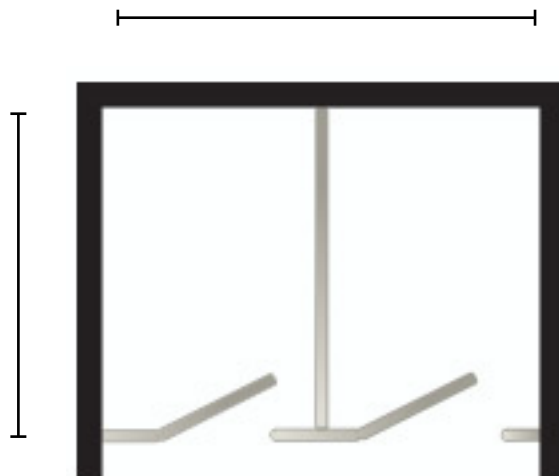
Prefer method of sent quote: **FAX / EMAIL**

<input type="checkbox"/> Dur-a-tex	<b>Stainless Steel</b>
<input type="checkbox"/> Metal	 <input type="checkbox"/>
<input type="checkbox"/> Phenolic	 <input type="checkbox"/>
<input type="checkbox"/> Plastic Laminate	 <input type="checkbox"/>
<input type="checkbox"/> Polymer (HDPE)	

			
<input type="checkbox"/> Overhead Braced	<input type="checkbox"/> Floor Mounted	<input type="checkbox"/> Floor to Ceiling	<input type="checkbox"/> Ceiling Hung

Wall Hung	QTY	Floor Mount	QTY	T-Screen	QTY
 12"w x 42"h	_____	 24"w x 58"h	_____	 12"w x 42"h	_____
18"w x 42"h	_____	36"w x 58"h	_____	18"w x 42"h	_____
18"w x 48"h	_____			18"w x 48"h	_____
				24"w x 42"h	_____
				24"w x 48"h	_____

Between Walls



Room: \_\_\_\_\_