

SP STALLS

TOILET PARTITIONS | LOCKERS | ACCESSORIES



8046 Inadale Drive
 Mount Brydges, On N0L1W0
 (p) 888-856-9795 (f) 888-856-9765
 Email: ryan@spstalls.com
 www.spstalls.com

Company Name _____

Contact Name _____

Job Location _____

Phone Number _____

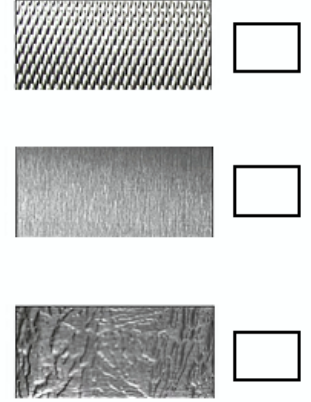
Email _____


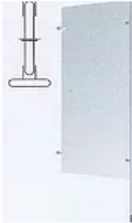

Fax _____

Prefer method of sent quote: **FAX / EMAIL**

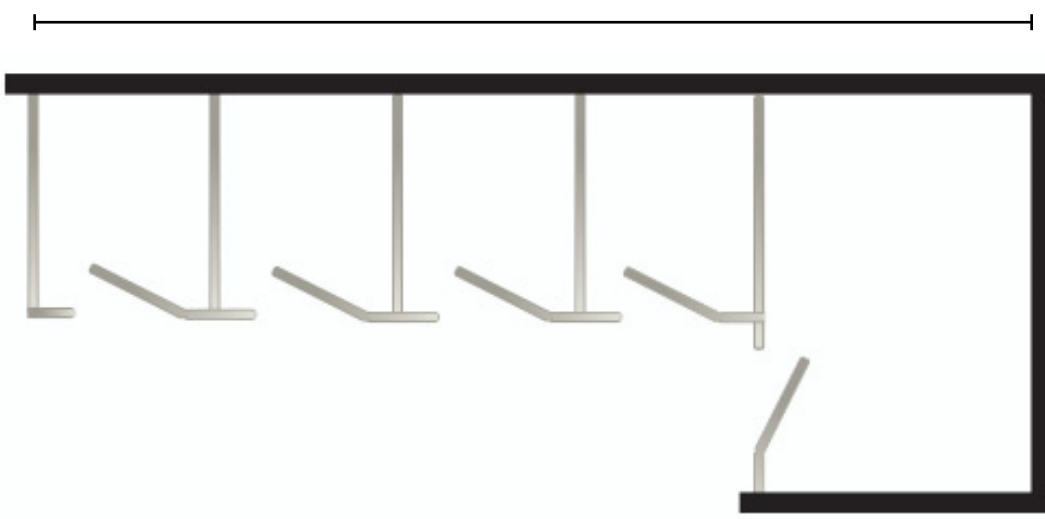
- Dur-a-tex
- Metal
- Phenolic
- Plastic Laminate
- Polymer (HDPE)

Stainless Steel



Wall Hung	QTY	Floor Mount	QTY	T-Screen	QTY
 12"w x 42"h	_____	 24"w x 58"h	_____	 12"w x 42"h	_____
18"w x 42"h	_____	36"w x 58"h	_____	18"w x 42"h	_____
18"w x 48"h	_____			18"w x 48"h	_____
				24"w x 42"h	_____
				24"w x 48"h	_____

Alcove Unit - Right



Room: _____